

**MICRO SWITCH**  
a Honeywell Division  
FED MFG CODE 91929

SWITCH - TOGGLE

CATALOG LISTING  
**2TL1 SERIES**  
CHART 1

THIS DRAWING COVERS A PROPRIETARY ITEM AND IS THE PROPERTY OF MICRO SWITCH A DIVISION OF HONEYWELL. THIS DRAWING IS NOT TO BE COPIED OR USED WITHOUT THE APPROVAL OF MICRO SWITCH

CATALOG LISTING  
**M 2TL1 SERIES CHART 1**  
PAGE 1 OF 1

ISSUE  
**28**

REVISIONS

A	CO-82686	JJA	27 FEB 96
B	CO-82887	JJA	4 APR 96
C	CO-83540	JJA	30 AUG 96
D	CO-94432	CSL	23 NOV 99
E	0003011	KRB	06 FEB 04

MDM 06 FEB 04

MDM 06 FEB 04

MDM 06 FEB 04

MDM 06 FEB 04

MDM 06 FEB 04

MDM 06 FEB 04

MDM 06 FEB 04

MDM 06 FEB 04

MDM 06 FEB 04

MDM 06 FEB 04

MDM 06 FEB 04

MDM 06 FEB 04

MDM 06 FEB 04

MDM 06 FEB 04

MDM 06 FEB 04

MDM 06 FEB 04

MDM 06 FEB 04

MDM 06 FEB 04

MDM 06 FEB 04

MDM 06 FEB 04

MDM 06 FEB 04

MDM 06 FEB 04

REPLACES

RELEASE NO

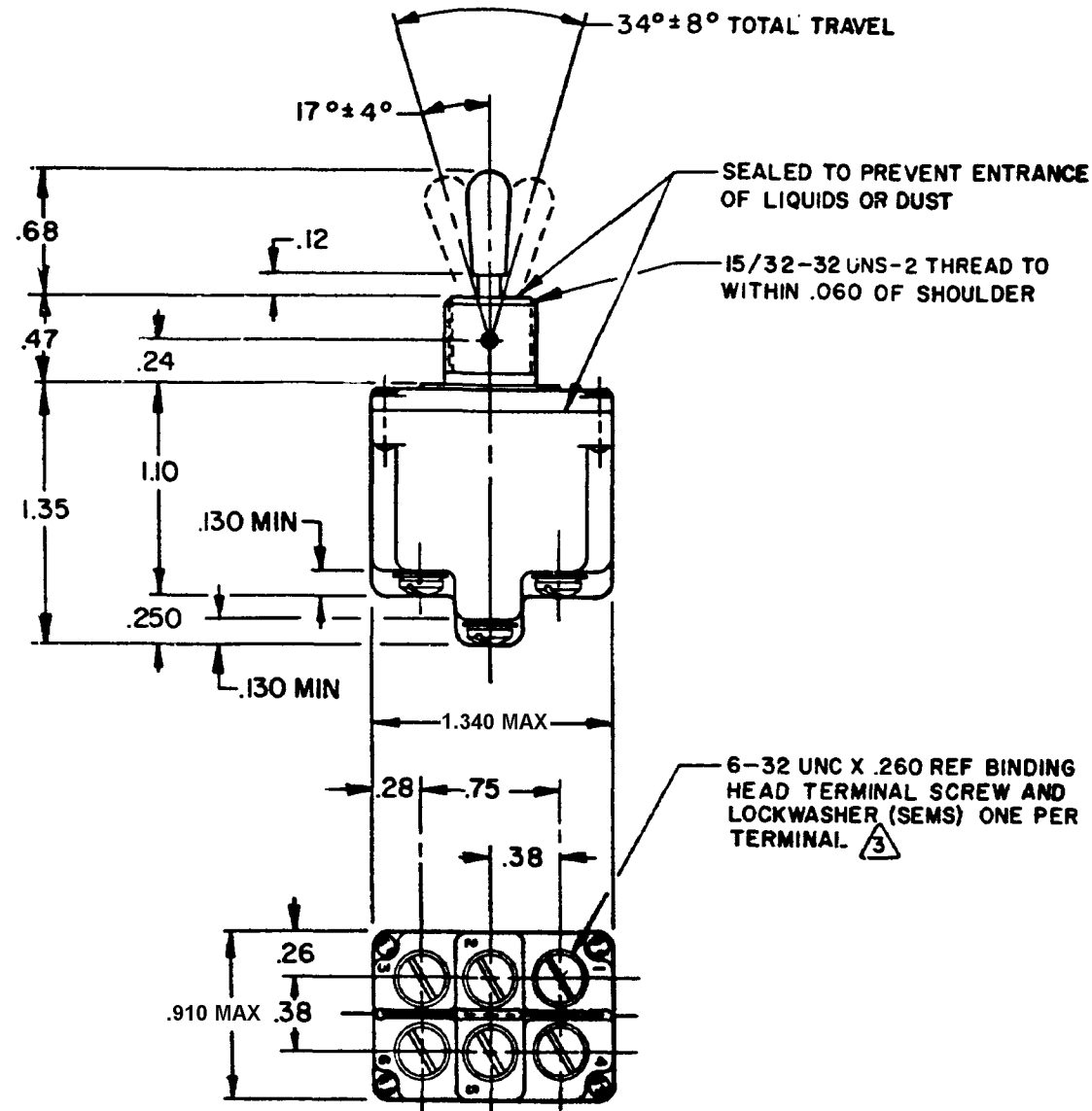
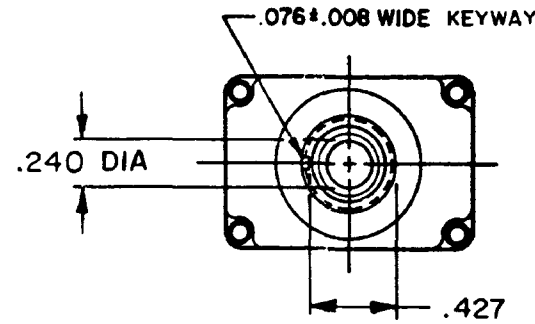
CHECK

CHECK

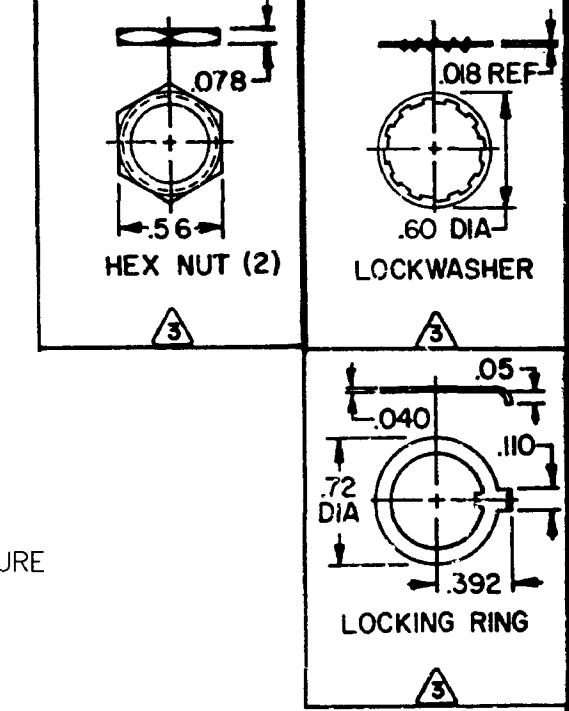
CHECK

CHECK

DRAWN



MILITARY STANDARD NUMBER	CATALOG LISTING	CIRCUIT MADE WITH TOGGLE LEVER IN			MILITARY RATING (AMPS)								
		KEYWAY SIDE (1-2,4-5)	CENTER (1-2,4-5)	OPPOSITE KEYWAY (2-3,5-6)	RESISTIVE LOAD			LAMP LOAD		INDUCTIVE LOAD			
					DC VOLTS	AC VOLTS	250	28 VDC	125 VAC	28 VDC	125 VAC		
24524-21	2TL1-1	ON	OFF	ON	20	.75	.5	15	6	7	4	15	15
24524-22	2TL1-2	OFF	NONE	ON									
24524-23	2TL1-3	ON	NONE	ON									
24524-24	2TL1-21	NONE	OFF	ON									
24524-33	2TL1-31	NONE	ON	ON									
24524-29	2TL1-4	MOM OFF	NONE	ON									
24524-31	2TL1-5	MOM ON	OFF	ON	18	.75	.5	11	6	5	2	10	8
24524-30	2TL1-6	MOM ON	NONE	OFF									
24524-27	2TL1-7	MOM ON	OFF	MOM ON									
24524-26	2TL1-8	MOM ON	NONE	ON									
24524-32	2TL1-51	NONE	ON	MOM ON									
24524-28	2TL1-61	MOM ON	OFF	NONE									



- NOTES
- 1 - SWITCHES ARE CAPABLE OF WITHSTANDING A TEMPERATURE OF 160°F CONTINUOUSLY AT FULL RATED LOAD
  - 2 - CIRCUIT DESIGNATION, MICRO SWITCH CATALOG LISTING AND "MS" NUMBER MARKED ON SIDE OF SWITCH
  - 3 - FURNISHED UNASSEMBLED
  - 4 - FOR TERMINAL COVER SEE MICRO SWITCH CATALOG LISTING 5PA8
  - 5 - APPLIES ONLY TO "ON" AND "MOMENTARY ON" POSITIONS
  - 6 - THESE SWITCHES ARE QUALIFIED UNDER MIL-S-3950

THIRD ANGLE PROJECTION  
SCALE FULL  
DO NOT SCALE PRINT  
UNLESS OTHERWISE SPECIFIED TOLERANCES ARE  
ONE PLACE ( ) ± .030  
TWO PLACE (.00) ± .015  
THREE PLACE (.000) ± .005  
ANGLES ±  
WEIGHT .12 LB. APPROX.

15A-125,250 OR 277VAC  
1/2HP-125VAC; 1HP-250,277VAC  
5A-125VAC "L" CODE L191

10A-125,250 OR 277VAC  
1/4HP-125VAC; 1/2HP-250,277VAC  
3A-125VAC "L" CODE L192

FORMTEK

# MICRO SWITCH

FREERPORT, ILLINOIS, U.S.A.  
A DIVISION OF HONEYWELL  
FED. MFG. CODE 91929

## SWITCH-TOGGLE

CATALOG LISTING  
**2TL1-70 SERIES**  
CHART 1

MILITARY STANDARD NUMBER

CATALOG LISTING

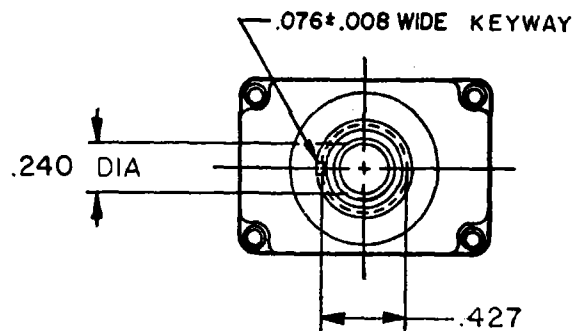
AVAILABLE LOCKING COMBINATIONS FOR CONFIGURATION SEE LETTERED DETAILS

STYLE NUMBER

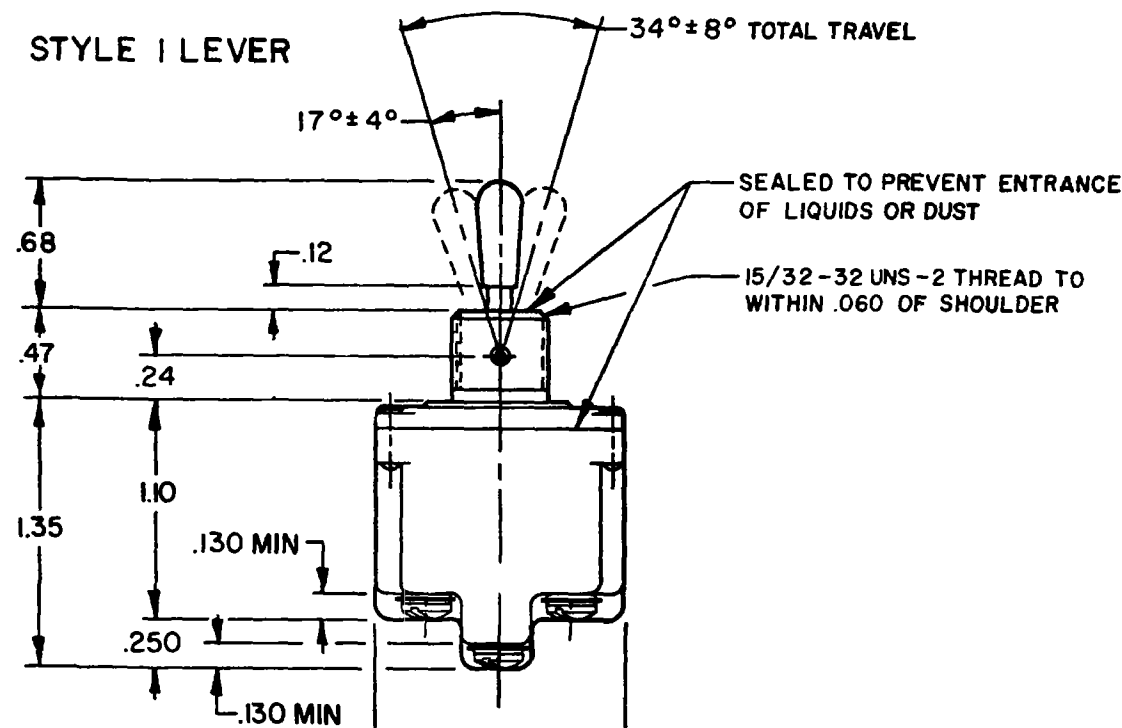
MILITARY RATING (AMPS)

RESISTIVE LOAD					LAMP LOAD		INDUCTIVE LOAD	
DC VOLTS		AC VOLTS			28 VDC	125 VAC	28 VDC	125 VAC
28	125	250	125	250				
18	.75	.5	11	6	5	2	10	8

THIS DRAWING COVERS A PROPRIETARY ITEM AND IS THE PROPERTY OF MICRO SWITCH. A DIVISION OF HONEYWELL. THIS DRAWING IS NOT TO BE COPIED OR USED WITHOUT THE APPROVAL OF MICRO SWITCH.



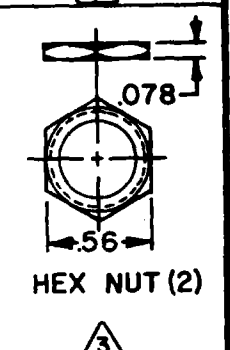
### STYLE 1 LEVER



"A" LOCKED IN THREE POSITIONS	"B" LOCKED IN CENTER AND EXTREME POSITION (KEYWAY SIDE)	"D" LOCKED OUT OF CENTER POSITION	"E" LOCKED IN CENTER POSITION	"F" LOCKED IN EXTREME POSITION (OPPOSITE KEYWAY)	<p>LOCKWASHER</p>
"G" LOCKED IN EXTREME POSITION (KEYWAY SIDE)	"H" LOCKED OUT OF CENTER AND EXTREME POSITION (KEYWAY SIDE)	"J" LOCKED OUT OF CENTER AND EXTREME POSITION (OPPOSITE KEYWAY)	"K" LOCKED IN CENTER AND EXTREME POSITION (OPPOSITE KEYWAY)	"L" LOCKED OUT OF EXTREME POSITION (KEYWAY SIDE)	
"M" LOCKED OUT OF AND INTO EXTREME POSITION (OPPOSITE KEYWAY)	"N" LOCKED OUT OF EXTREME POSITION (OPPOSITE KEYWAY)	"P" LOCKED OUT OF AND INTO EXTREME POSITION (KEYWAY SIDE)	<p>LOCKING RING</p>		

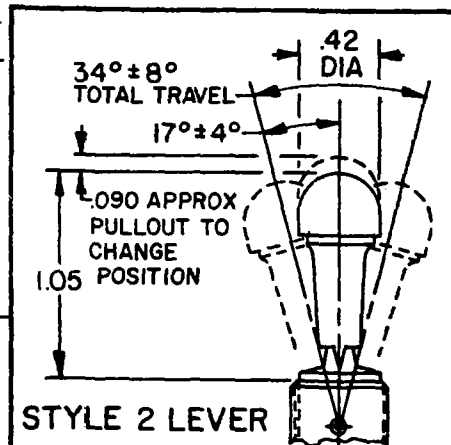
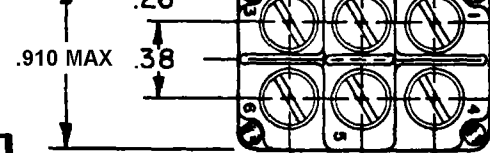
### CIRCUIT MADE WITH TOGGLE LEVER IN

KEYWAY SIDE	CENTER	OPPOSITE KEYWAY
MOMENTARY POSITION	MAINTAINED POSITION	MOMENTARY POSITION



### NOTES

- SWITCHES ARE CAPABLE OF WITHSTANDING A TEMPERATURE OF 160°F CONTINUOUSLY AT FULL RATED LOAD
- CIRCUIT DESIGNATION, MICRO SWITCH CATALOG LISTING AND MS NUMBER MARKED ON SIDE OF SWITCH
- FURNISHED UNASSEMBLED
- FOR TERMINAL COVER SEE MICRO SWITCH CAT. LIST. 5PA8
- KEYWAY SHOWN ON LEFT SIDE
- SUFFIX LETTER MUST BE ADDED FOR DESIRED TYPE OF TOGGLE LOCKING. SEE CHART FOR AVAILABLE LOCKING COMBINATIONS
- THESE SWITCHES ARE QUALIFIED UNDER MIL-S-3950



SCALE FULL  
DO NOT SCALE PRINT  
UNLESS OTHERWISE NOTED  
DIMENSIONS ARE IN INCHES  
TOLERANCES ARE:  
ONE PLACE (.0) ±.030  
TWO PLACE (.00) ±.018  
THREE PLACE (.000) ±.008  
ANGLES ±.008  
WEIGHT .15 LB APPROX

10A-125, 250, 277VAC  
1/4-125VAC; 1/2HP-250, 277VAC  
3A-125VAC "L" L192



CATALOG LISTING  
**M** 2TL1-70 SERIES CHART 1  
 PAGE 1 OF 1  
 ISSUE 4  
 REVISIONS  
 A 178047 20 AUG 94  
 B 94432 23 NOV 99  
 C 0003011 05 FEB 04  
 CHECK 06 FEB 04  
 CHECK 23 JUN 04  
 CHECK 10 JUN 94  
 FORMTEK  
 DRAWN  
 KDR  
 RELEASE NO. CO-78465 REPLACES 2TL1-70 SERIES